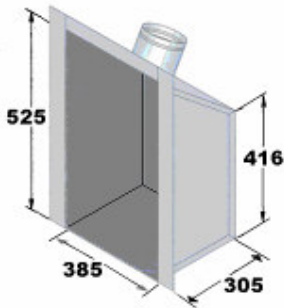


# MF8 - FLUE BOXES

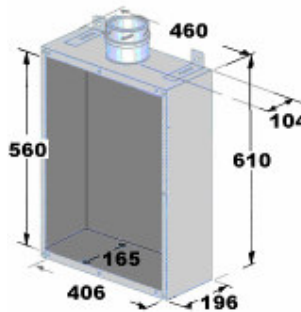
## FLUE GAS COLLECTOR

Single wall design with either fixed spigot or clamp band. For radiant gas fires complying with BS5258 (Part 5).  
4-FGCS (spigot) use 125mm gas flex.  
4-FGCC (clamp) use 125mm gas flex.



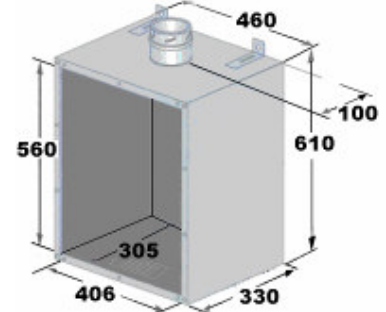
## STANDARD FLUE BOX

Designed for use with radiant and decorative gas fires complying to BS5258 (part 5). Constructed with an aluminium liner and coated steel outer case.  
4-SFB – Spring-Fix spigot – use 125mm gas flex.  
10-5-23 – use MF10 Gas Vent.



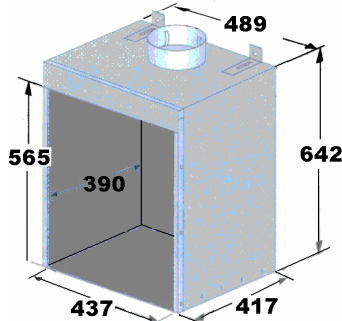
## RECESSED FLUE BOX

With the spigot at the rear, for use with larger radiant and decorative gas fires, or with MF10 Gas Vent installed in an adjoining room to the fire. The box also comes with a flex connection for use in a standard builders opening. For gas fires to BS 5258 (Part 5).  
4-RFB – Spring-Fix spigot – use 125mm gas flex.  
10-5-24 – use MF10 Gas Vent.



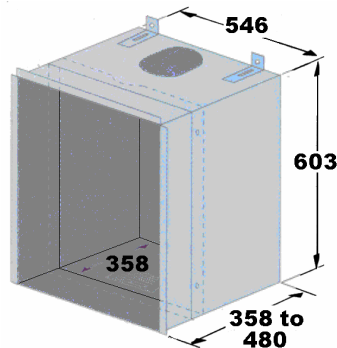
## ILFE FLUE BOX

For use with Inset Live Fuel Effect gas fires complying to BS 5258 (Part 16), with a heat output not exceeding 7kw.  
4-ILFE – Spring-Fix spigot for use with flexible flue liner.  
10-5-25 – use with MF10 Gas Vent  
6-ILFE – Spring-Fix spigot use with MF6 class 1 flexible liner.  
2-7-40 – use with MF2 Class 1 insulated.



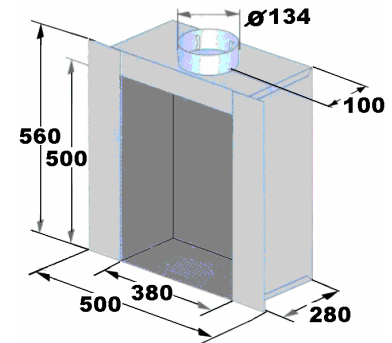
## BACK BOILER FLUE BOX

Adjustable in depth from 358mm to 480mm to accommodate a wide range of back boilers. Suitable for fires complying with BS 5258 (part 8).  
8-BBFB – for use with flexible liner.



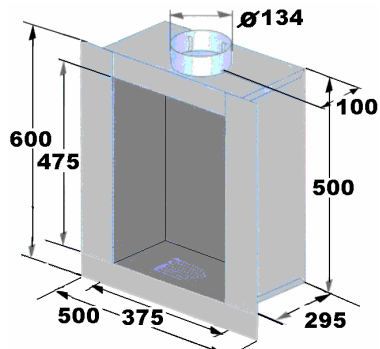
## VMF FLUE BOX SS

Suitable for fires complying to BS5258 (Part 5). Manufactured with the Spring-Fix spigot for quicker installation. More efficient exhaust of flue gases, and accommodates most popular radiant gas fires including the Valor Firelite Oxysafe.  
8-VMFS – Spring-Fix spigot for use with flexible flue liner.



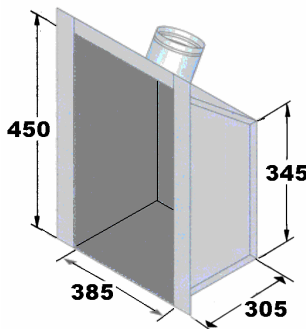
## SHEFFIELD FLUE BOX

This twin wall box is specifically designed for quick and easy installation into an existing builders opening. Its reduced height and extra depth removes the need for extensive builders work after completion of the installation. Suitable for fires complying with BS5258 (Part 5) including the Valor Firelite Oxysafe.  
8-SHEF – Clamp spigot for use with flexible flue liner.



## VISA BOX

Single wall design with either fixed spigot or clamp band. For radiant gas fires complying with BS5258 (Part 5).  
4-VISA (spigot) use 125mm gas flex.



# Mi-Flues

UK's No.1 Flue & Chimney Specialist

Spiro House  
Cocker Avenue  
Poulton Business Park  
Poulton-le-Fylde  
Lancashire FY6 8JU

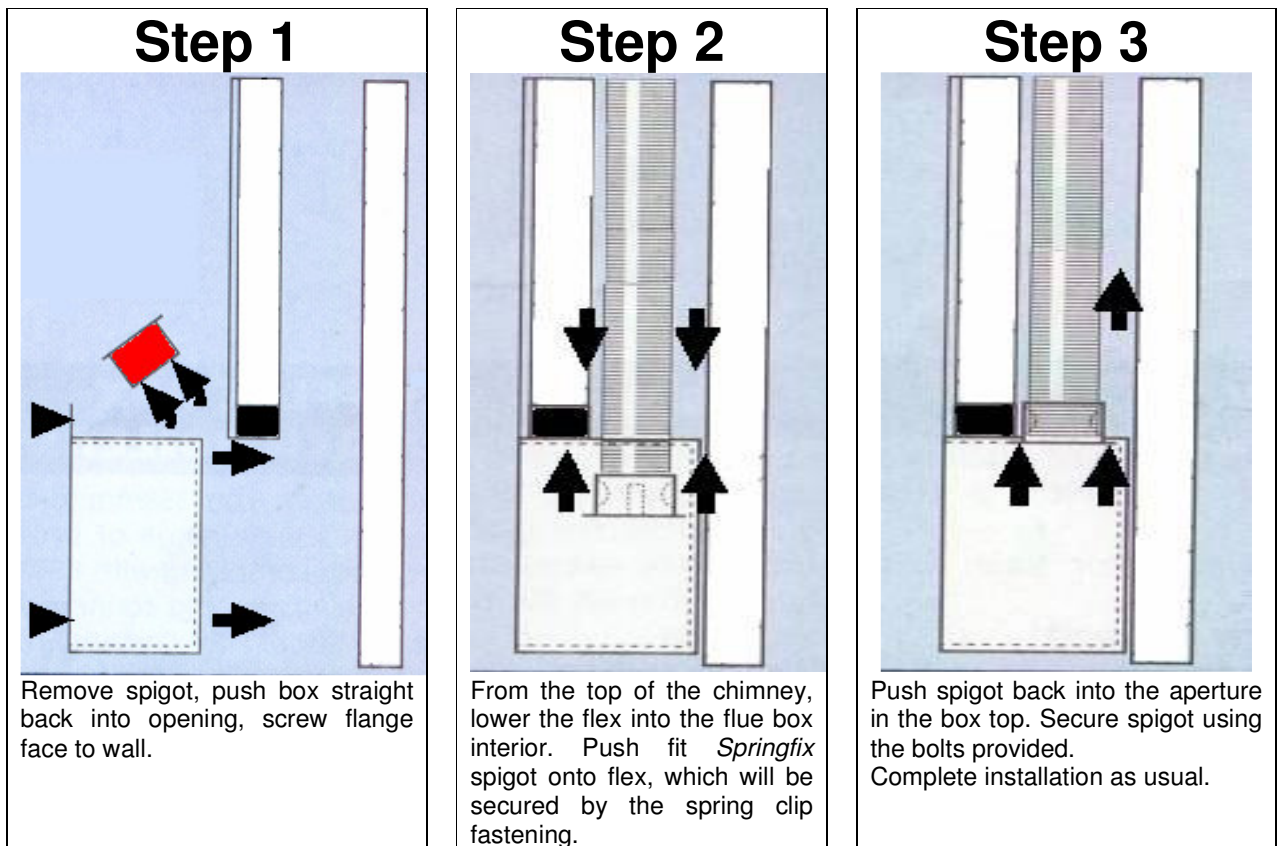
Telephone +44 (01253) 884972  
Fax +44 (01253) 893752  
Website: [www.mi-flues.com](http://www.mi-flues.com)  
email: [sales@mi-flues.com](mailto:sales@mi-flues.com)

## Springfix

Spiro House  
Cocker Avenue  
Poulton Business Park  
Poulton-le-Fylde  
Lancashire FY6 8JU

Telephone +44 (01253) 884972  
Fax +44 (01253) 893752  
Website: [www.mi-flues.com](http://www.mi-flues.com)  
email: [sales@mi-flues.com](mailto:sales@mi-flues.com)

EASY to INSTALL range of flue boxes,  
for gas fires and gas fires with back boilers.



Boxes available with *Springfix*

*4-SFB – Standard Flue Box*

*4-RFB – Recessed Flue Box*

*4-ILFE – ILFE Flue Box*

*8-VMF – VMF Flue Box*